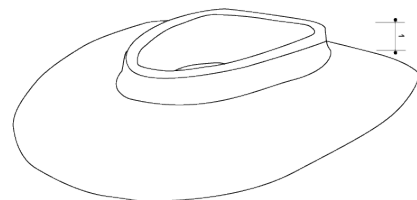
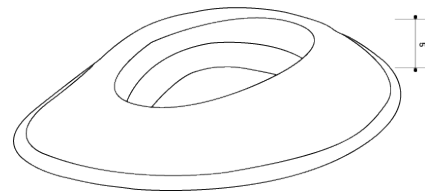
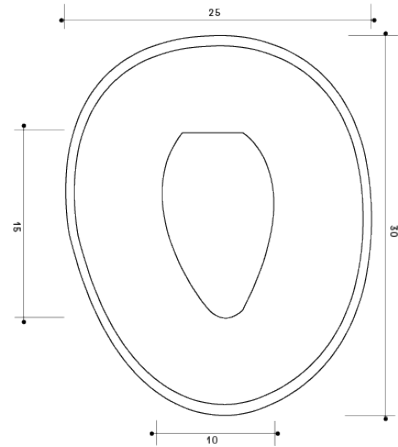


Naggura Face+

Gel cushion



General Specifications

DESCRIPTION

PU face mask that fits into the table breather hole. Ergonomic, ultra-soft and comfortable for patients lying face down in prone position.

UPHOLSTERY

PU

DIMENSIONS

30 x 25 x 5 cm

PACKAGING SIZE

31 x 25 x 5 cm

N.W. KG

180g

G.W. KG

900g

REF.

Ref. NGGA005